

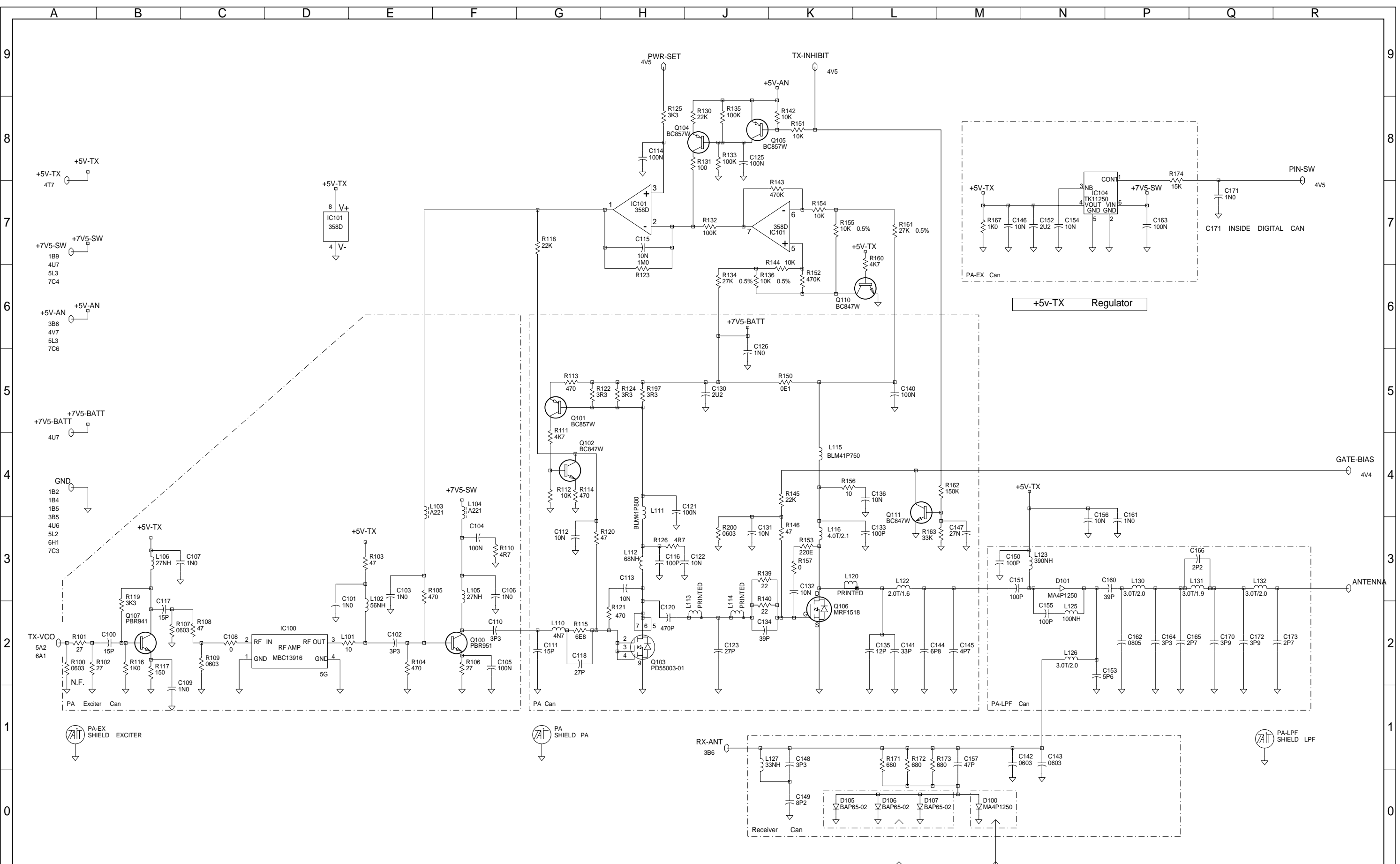
06C	ECO 50 1650 VALUES UPDATED	BRD			23-08-02	
06B	ECO 50 1650 VALUES UPDATED	BRD			22-08-02	
06A	DCO NO. 1624-008	BRD			07-05-02	
05A	CCO NO. 1624-007	BRD			29-03-01	
04A	CCO NO. 1624-006	BRD			20-03-01	
03B	CCO NO 1624-005	CJK			08-06-00	
03A	ECO NO 50 0788	CJK	JJ		29-05-00	
02A	CCO NO.1624-004 AMP CHANGES	TS			16-12-99	
01A	INITIAL DES CCO 1624/001 002 003	BRD	JJ	CK	GR	25/11/99
REV/ISS	AMENDMENTS	DRAWN	CHKD	D.O.	APVD	DATE

06E	ECO 103200012 PA VALUE CHANGES	BRD			11-12-02
06D	NEW PASTE GENERATED	BRD			04-09-02

© TAIT ELECTRONICS  
 TAIT ORCA : 450-530 MHZ  
 SYSTEM DIAGRAM

IPN: 220-01624-06 ISSUE: E 2.S.C. 1  
 ID: 11-12-02

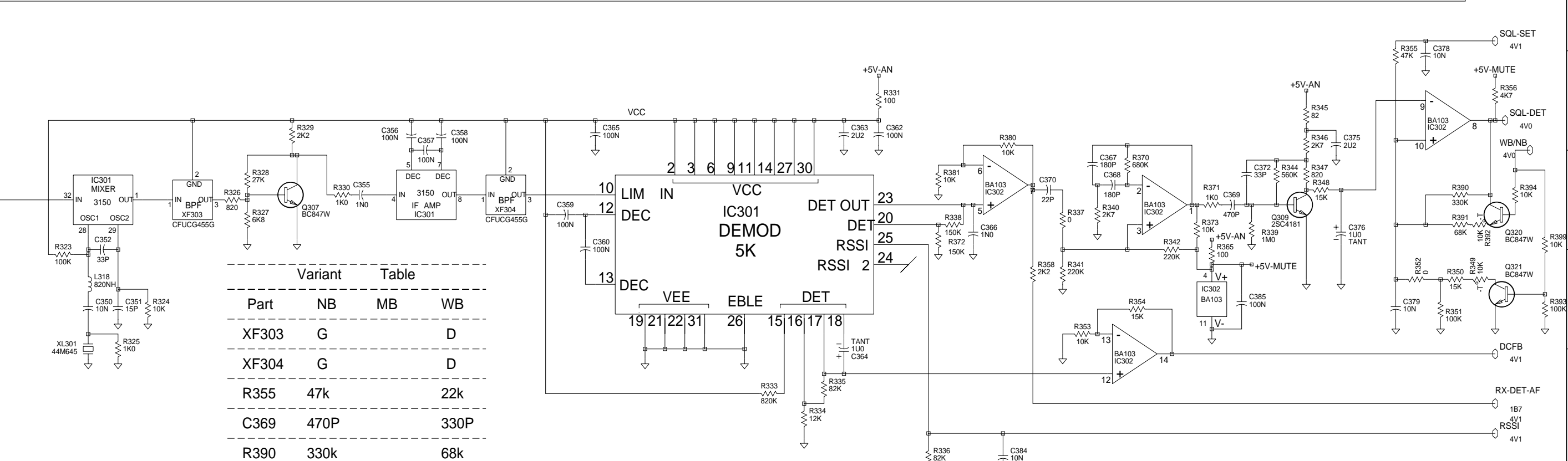
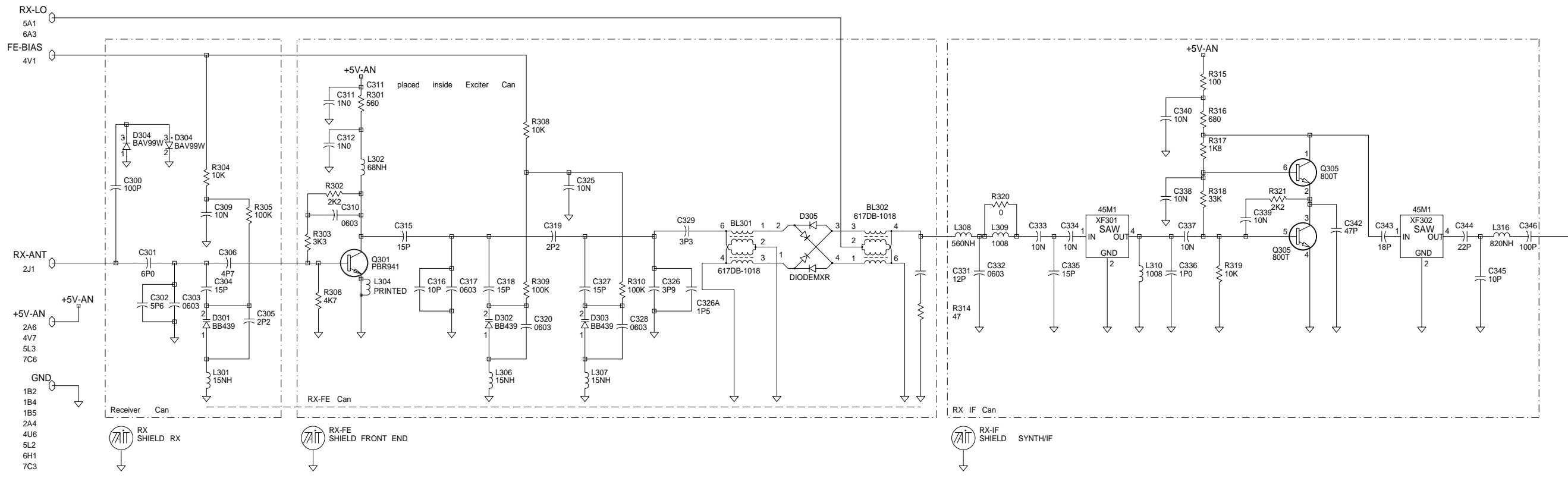
PROJECT: ORCA DESIGNER: BRD FILE NAME: 1624006e DATE: 11-Dec-02 NO.SHEETS: 7



DUAL PLACEMENT Place Either Or  
Place D105, D106, D107 or Only D100

© TAIT ELECTRONICS	
TAIT ORCA : 450-530 MHZ POWER AMPLIFIER	
IPN: 220-01624-06	ISSUE: E 2.S.C. 2
PROJECT: ORCA	DESIGNER: BRD
FILE NAME: 162406e	FILE DATE: 11-Dec-02
NO. SHEETS: 7	

02A	CCO NO.1624-004	AMP CHANGES	TS		16-12-99
REV/ISS	AMENDMENTS		DRAWN	CHKD	DATE



Variant Table

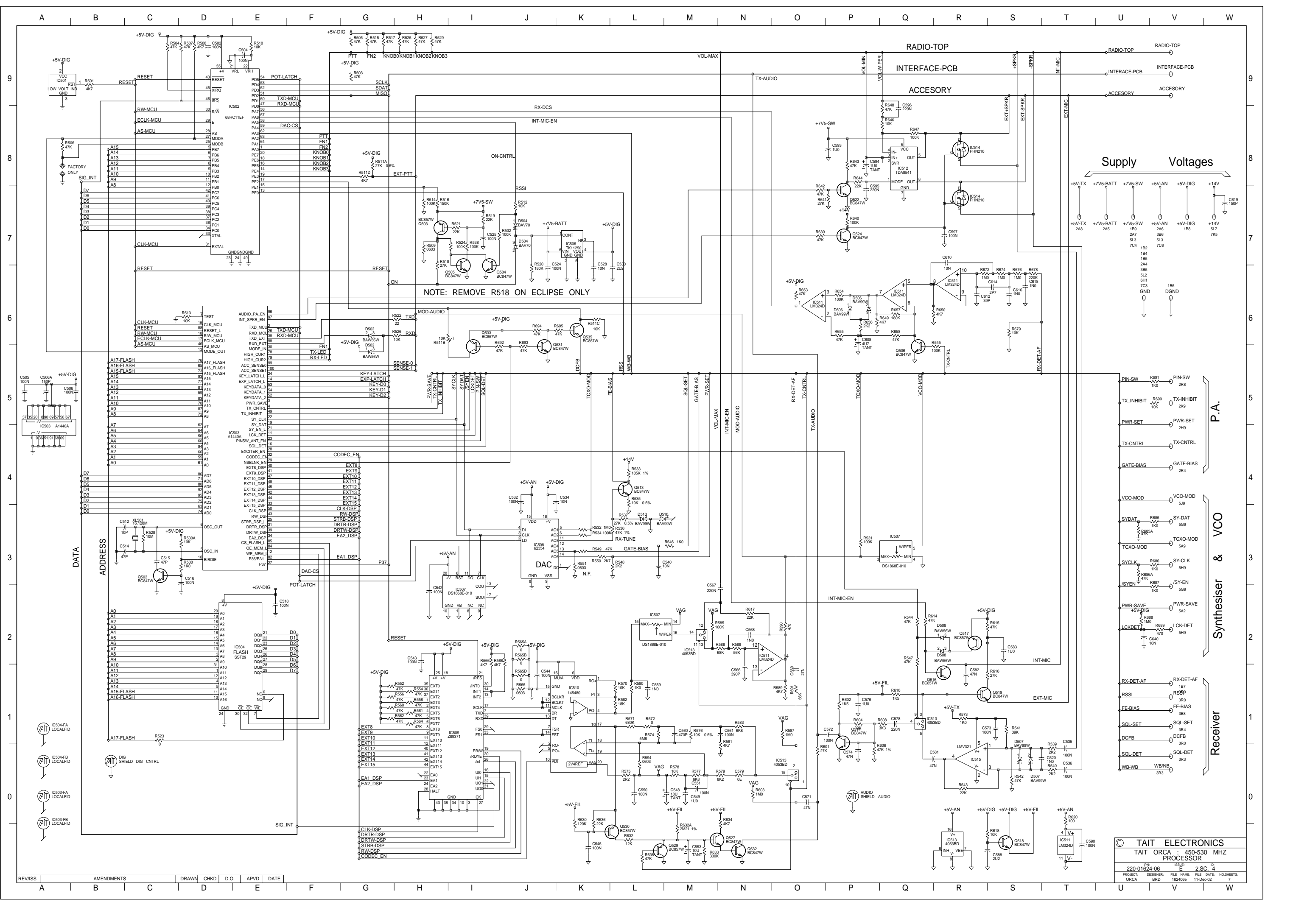
Part	NB	MB	WB
XF303	G		D
XF304	G		D
R355	47k		22k
C369	470P		330P
R390	330k		68k

**TAIT ELECTRONICS**  
 TAIT ORCA : 450-530 MHZ RECEIVER

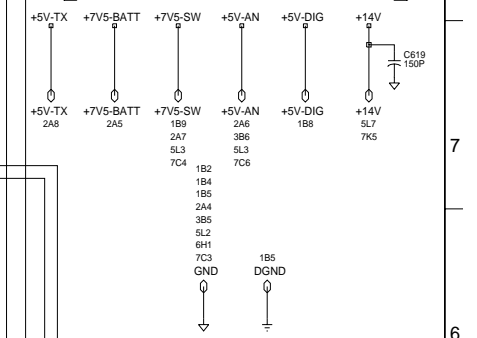
IPN: 220-01624-06    ISSUE: E    2.SC. 3    ID:    NO. SHEETS: 7

PROJECT: ORCA    DESIGNER: BRD    FILE NAME: 162406e    DATE: 11-Dec-02

REV/ISS	AMENDMENTS	DRAWN	CHKD	D.O.	APVD	DATE



**Supply Voltages**

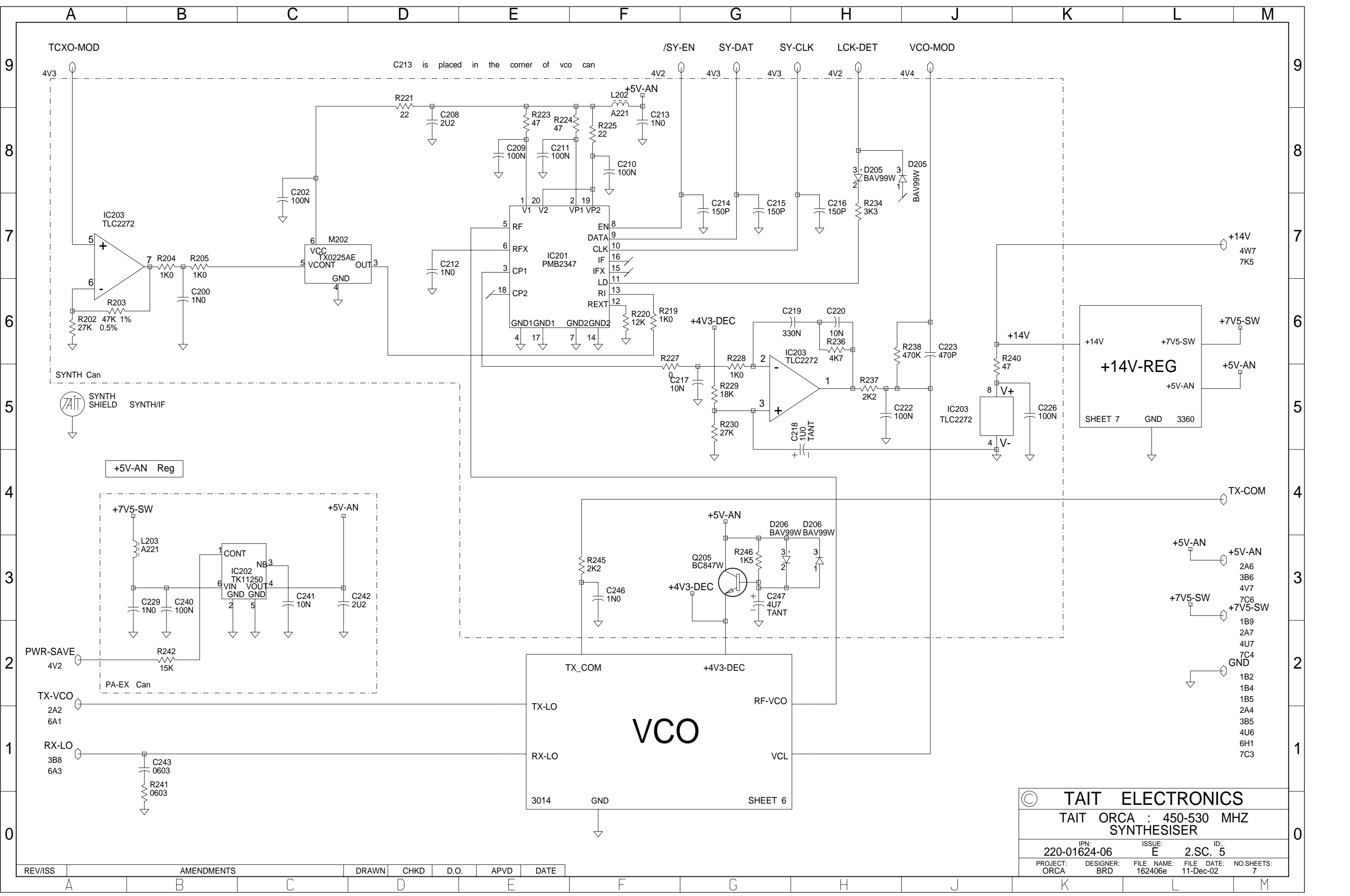


**P.A.**

**Synthesiser & VCO**

**Receiver**

© TAIT ELECTRONICS  
 TAIT ORCA - 450-530 MHZ  
 PROCESSOR  
 PART NO: 220-01624-06  
 ISSUE: 2. SC. 4  
 PROJECT: ORCA  
 DESIGNER: FILE NAME: 1624066  
 BRD: 11-04-02  
 NO SHEETS: 7

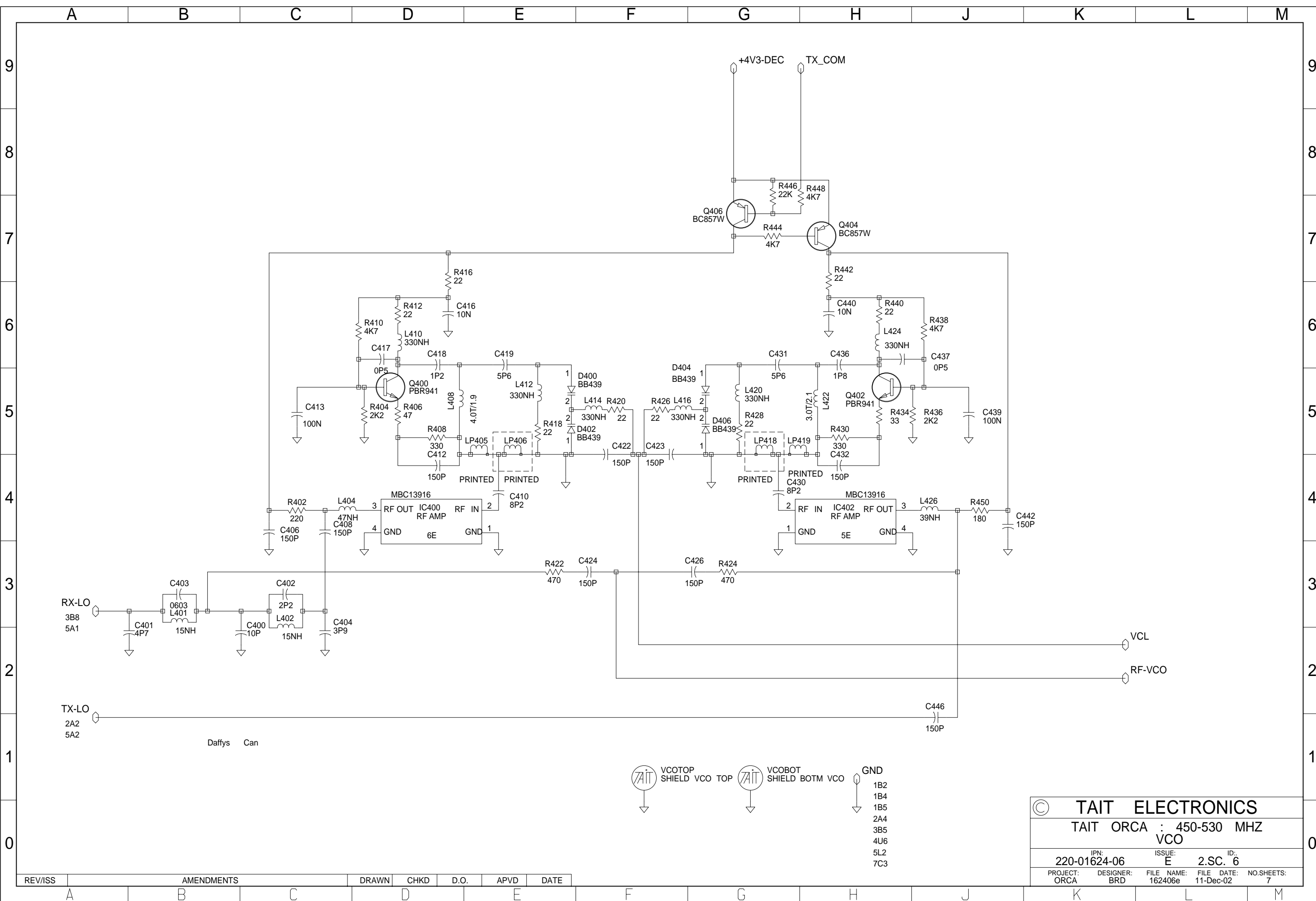


© TAIT ELECTRONICS  
 TAIT ORCA : 450-530 MHZ SYNTHESISER

IPN: 220-01624-06	ISSUE: E	ID: 2.S.C. 5
PROJECT: ORCA	DESIGNER: BRD	FILE NAME: 162406e
	FILE DATE: 11-Dec-02	NO.SHEETS: 7

REV/ISS	AMENDMENTS	DRAWN	CHKD	D.O.	APVD	DATE

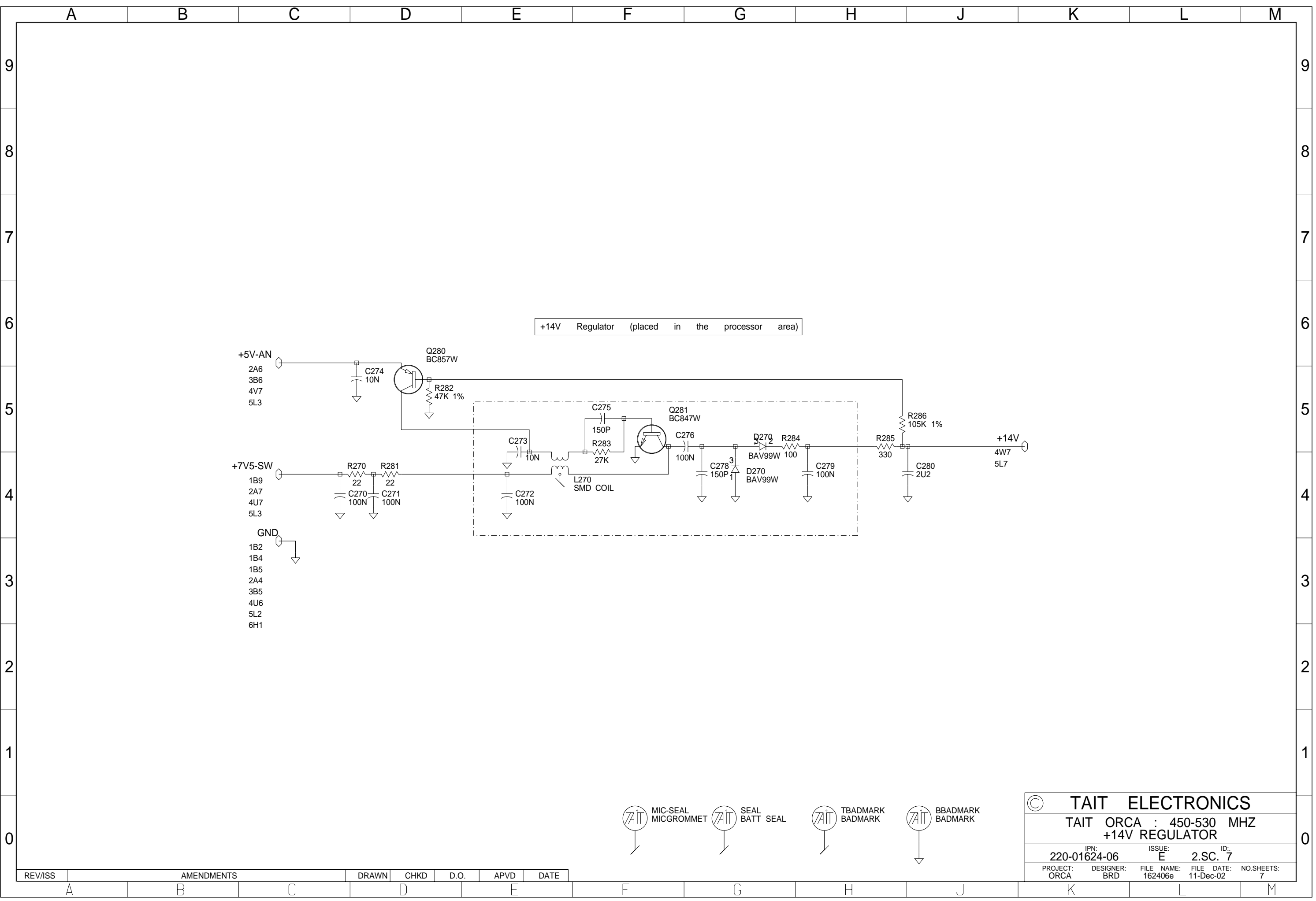
- TX-COM
- +5V-AN
- +5V-AN
- +7V5-SW
- +7V5-SW
- 1B9
- 2A7
- 4U7
- 7C4
- GND
- 1B2
- 1B4
- 1B5
- 2A4
- 3B5
- 4U6
- 6H1
- 7C3



REV/ISS	AMENDMENTS	DRAWN	CHKD	D.O.	APVD	DATE
A						
B						
C						
D						
E						
F						
G						
H						
J						
K						
L						
M						

© TAIT ELECTRONICS  
 TAIT ORCA : 450-530 MHZ  
 VCO

IPN: 220-01624-06	ISSUE: E	ID: 2.SC. 6
PROJECT: ORCA	DESIGNER: BRD	FILE NAME: 162406e
	FILE DATE: 11-Dec-02	NO.SHEETS: 7





+14V Regulator (placed in the processor area)

+5V-AN  
2A6  
3B6  
4V7  
5L3

+7V5-SW  
1B9  
2A7  
4U7  
5L3

GND  
1B2  
1B4  
1B5  
2A4  
3B5  
4U6  
5L2  
6H1

© TAIT ELECTRONICS			
TAIT ORCA : 450-530 MHZ +14V REGULATOR			
IPN: 220-01624-06	ISSUE: E	ID: 2.SC. 7	
PROJECT: ORCA	DESIGNER: BRD	FILE NAME: 162406e	FILE DATE: 11-Dec-02
			NO.SHEETS: 7

-   
 MIC-SEAL  
MICGROMMET
-   
 SEAL  
BATT SEAL
-   
 TBADMARK  
BADMARK
-   
 BBADMARK  
BADMARK

REV/ISS	AMENDMENTS	DRAWN	CHKD	D.O.	APVD	DATE
A						
B						
C						
D						
E						